



PLYWOOD | NAILED WOOD | HARDBOARD
PLASTIC | WOOD/METAL | STAMPED METAL | WIRE BASKETS



WWW.CARRIS.COM

Vermont	Rutland, VT	(802) 773-9111 Tel	(802) 770-3551 Fax
Connecticut	Enfield, CT	(860) 749.8308 Tel	(860) 749-8558 Fax
California	Madera, CA	(559) 674-0804 Tel	(559) 674-1614 Fax
Michigan	Galien, MI	(269) 545-3400 Tel	(269) 545-3401 Fax
North Carolina	Statesville, NC	(704) 872-0981 Tel	(704) 873-0654 Fax
Virginia	Fincastle, VA	(540) 473-2210 Tel	(540) 473-2878 Fax
Mexico	Monterrey, Mexico	(011) 52-81-83-16-73-90 Tel	(011) 52-81-83-16-73-95 Fax

SPECIFICATION AND QUOTATION SHEET

For a prompt quotation, please photocopy this form, complete it and fax to Carris-Vermont at **802.770.3551**



Company Name _____		Your Name _____	
Address _____		Position _____	
City _____	State _____	Zip _____	Phone _____ Fax _____

Type and size of material to be placed on reel: _____

Maximum weight of material to be placed on reel: _____

Quantities normally ordered: _____

A. Flange diameter: _____

B. Traverse length: _____

C. Barrel diameter: _____

D. Start hole diameter: _____

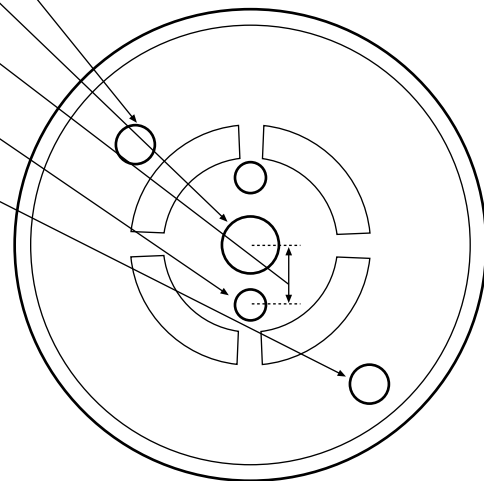
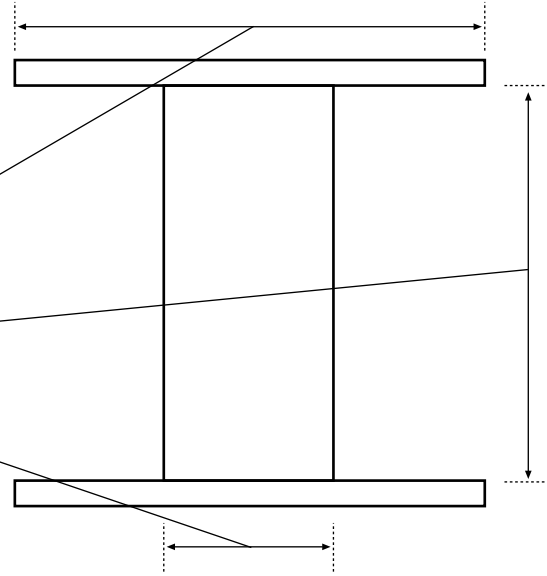
E. Arbor hole diameter: _____

F. Center-to-center distance: _____

G. Drive pin hole diameter: _____

H. Finish hole diameter: _____

I. Other: Please draw showing location and dimensions.



STAMPED METAL

High-grade steel and tin plate combined with precision tools and dies assure our customers of quality spools and metal stampings at competitive prices. This product is intended for non-returnable, lightweight packaging for small put-ups of wire, rope and chain. They are available in various sizes and combinations of flange diameters, barrel diameters, and barrel lengths.

SIZES

- Stamped metal spools are available in various sizes and combinations of flange diameters, barrel diameters, and barrel lengths. They can be shipped assembled or unassembled.

FLANGE MATERIALS

Plain

- Tin plate flanges with a gray steel finish

Lithographed

- This version is based on one-color or two-color printing with a plain background or on a solid color background

Solid Color

- This version is based on the flange being one color with no tin plate or gray background

Sizes

- Made from 26 gauge or 29 gauge steel



BARRELS

- Traverses on the 1 7/8" barrel diameter are available in lengths from 1" to 13"
- Traverses on the 3 1/2" barrel diameter are available in lengths from 2" to 14"

ARBOR HOLE

- Standard arbor hole size is 3/4". Please ask for quotation if other arbor size is needed.

COST SAVINGS

- The unassembled version can provide cost savings through reduced freight charges and inventory space. High speed and manual equipment are available through us for easy assembly in your plant.

FLAT OR PANELED SURFACES

Flat

- This surface allows the customer to attach labels for identification

Paneled

- This surface provides additional strength and rigidity

LITHOGRAPHY

- Metal spools also offer the additional option of having your company name and/or logo printed on the spool. Our custom lithography service will meet the most exacting demands.

FIVE-PIECE STAMPED METAL SPOOL

The latest addition to the Carris product line is our heavy-duty, five-piece spool. This spool is made of high-grade steel and tin plate and is a stronger, more refined version of our original stamped metal spool.

SIZES

- Heavy-duty stamped metal spools are available with a 10 1/2" flange diameter, a 3 1/2" barrel diameter and a choice of barrel lengths. They can be shipped assembled or unassembled.

FLANGES

- Available in plain, lithographed and solid color options. Please ask for quotation on any custom lithography.

BARRELS

- Traverses on the 3 1/2" barrel diameter are available in lengths from 2" to 14"

ARBOR

- Standard arbor hole size is 1 1/2"

WEIGHT CAPACITY

- Can carry up to 40 lbs

RECYCLING

- Carris stamped metal spools are environmentally friendly with easy disposal through scrap steel recycling programs across the country.