



PLYWOOD | NAILED WOOD | HARDBOARD  
PLASTIC | WOOD/METAL | STAMPED METAL | WIRE BASKETS



[WWW.CARRIS.COM](http://WWW.CARRIS.COM)

Vermont	Rutland, VT	(802) 773-9111 Tel	(802) 770-3551 Fax
Connecticut	Enfield, CT	(860) 749.8308 Tel	(860) 749-8558 Fax
California	Madera, CA	(559) 674-0804 Tel	(559) 674-1614 Fax
Michigan	Galiem, MI	(269) 545-3400 Tel	(269) 545-3401 Fax
North Carolina	Statesville, NC	(704) 872-0981 Tel	(704) 873-0654 Fax
Virginia	Fincastle, VA	(540) 473-2210 Tel	(540) 473-2878 Fax
Mexico	Monterrey, Mexico	(011) 52-81-83-16-73-90 Tel	(011) 52-81-83-16-73-95 Fax

# SPECIFICATION AND QUOTATION SHEET

For a prompt quotation, please photocopy this form, complete it and fax to the Carris location nearest you: Carris-California at **559.674.1614**; Carris-North Carolina at **704.873.0654**; Carris-Vermont at **802.770.3551**



Company Name _____			Your Name _____		
Address _____			Position _____		
City _____	State _____	Zip _____	Phone _____	Fax _____	

Type and size of material to be placed on reel: \_\_\_\_\_

Maximum weight of material to be placed on reel: \_\_\_\_\_

Quantities normally ordered: \_\_\_\_\_

A. Flange diameter: \_\_\_\_\_

B. Traverse length: \_\_\_\_\_

C. Barrel diameter: \_\_\_\_\_

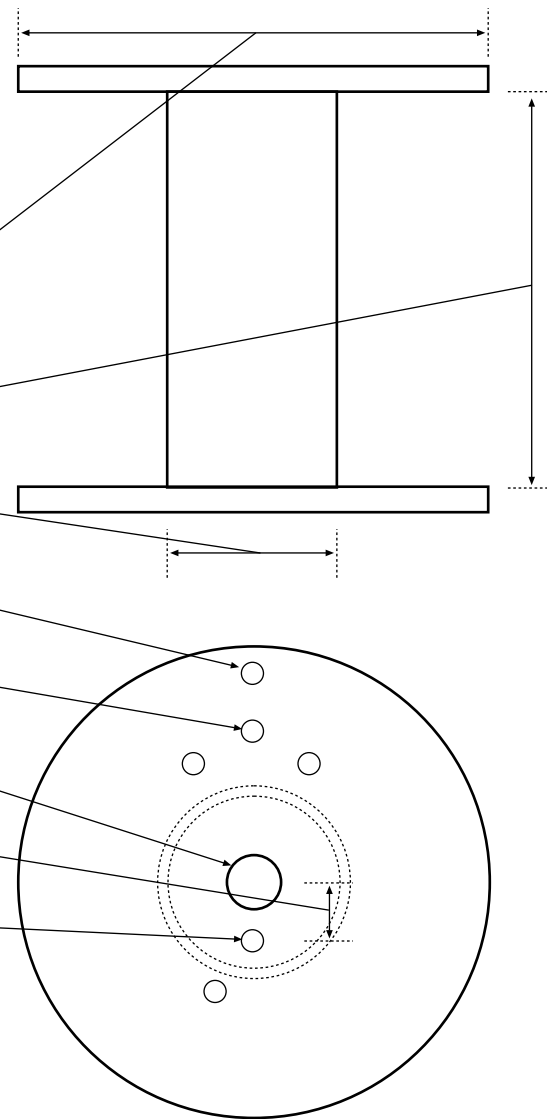
D. Finish hole diameter: \_\_\_\_\_

E. Start hole diameter: \_\_\_\_\_

F. Arbor hole diameter: \_\_\_\_\_

G. Distance center-to-center: \_\_\_\_\_

H. Lug hole diameter: \_\_\_\_\_



## HARDBOARD

Hardboard reels are suitable for a variety of applications, such as welding wire, ground wire, terminal contact strips, lightweight wire and cordage, fine drawn wires, twine, ribbon, jewelry chain, fiber optics and many others. The special feature of a hardboard reel is the strong, dense, smooth flange surfaces. Special flange machining can produce custom borings, such as sight holes or slots. The flanges can be custom printed with your logo or product information. Our standard method of shipping these reels to you on pallets and shrinkwrapped ensures that they are clean and undamaged when they arrive at your plant.

### FLANGE MATERIALS

#### High-Density Materials

- Thickness: 3/8", 1/2", 5/8"

#### Medium-Density Materials

- Thickness: 3/8" and 1/2" (others as requested)

### BARREL MATERIALS

#### Paper Tubes

- Spiral wound from high-grade paper and glues
- Intended for use where moisture is not a concern
- Best buy for this type of reel

#### Steel Barrels

- Constructed of galvanized steel

### FASTENERS

#### Rivets

- Available in 3/8" and 1/2" diameter tubular steel
- Ideal for lightweight applications

#### Screws

- Available in 1/4" in both flat head and round head in lengths of up to 3" for "pancake"-type reels

#### Hexhead Bolts

- For longer traverse lengths, 1/4" bolts are used

### STANDARD WELDING WIRE SIZES

8	x 1 3/4	x 3 3/8	weight capacity of 10 lbs
11 1/8	x 3 3/8	x 8 1/4	weight capacity of 25 lbs
11 1/8	x 3 3/8	x 6 3/8	weight capacity of 44 lbs
14	x 3 3/8	x 8 1/4	weight capacity of 60 lbs

Fastening options for Carris hardboard reels include rivets, screws, or hexhead bolts and steel tabs.

