



PLYWOOD | NAILED WOOD | HARDBOARD
PLASTIC | WOOD/METAL | STAMPED METAL | WIRE BASKETS



WWW.CARRIS.COM

Vermont	Rutland, VT	(802) 773-9111 Tel	(802) 770-3551 Fax
Connecticut	Enfield, CT	(860) 749.8308 Tel	(860) 749-8558 Fax
California	Madera, CA	(559) 674-0804 Tel	(559) 674-1614 Fax
Michigan	Galiem, MI	(269) 545-3400 Tel	(269) 545-3401 Fax
North Carolina	Statesville, NC	(704) 872-0981 Tel	(704) 873-0654 Fax
Virginia	Fincastle, VA	(540) 473-2210 Tel	(540) 473-2878 Fax
Mexico	Monterrey, Mexico	(011) 52-81-83-16-73-90 Tel	(011) 52-81-83-16-73-95 Fax

SPECIFICATION AND QUOTATION SHEET

For a prompt quotation, please photocopy this form, complete it and fax to Carris-Connecticut at **860.749.8558**; Carris-California at **559.674.1614**; Carris-Michigan at **269.545.3401**



Company Name _____			Your Name _____		
Address _____			Position _____		
City _____	State _____	Zip _____	Phone _____	Fax _____	

Type and size of material to be placed on reel: _____

Maximum weight of material to be placed on reel: _____

Quantities normally ordered: _____

A. Flange, Diameter: _____

B. Drum Heads: _____ Thickness: _____

C. Center Support, Number: _____ Thickness: _____

D. Stave Thickness: _____

E. Flange Thickness: _____

F. Traverse, I.D.: _____

G. Out-to-Out Length: _____

H. Bolts, Number: Diameter: _____

I. Barrel Diameter: _____

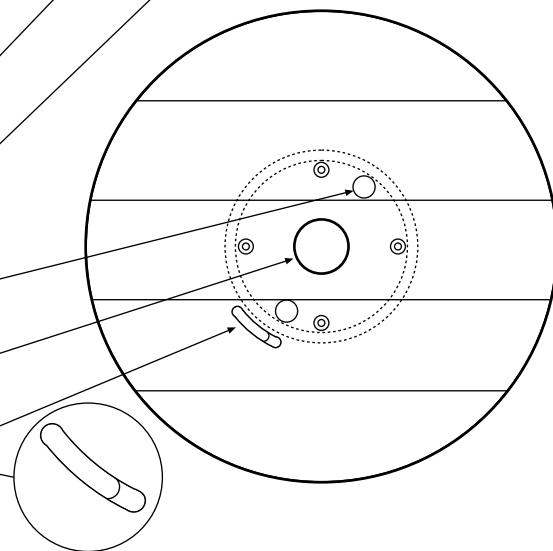
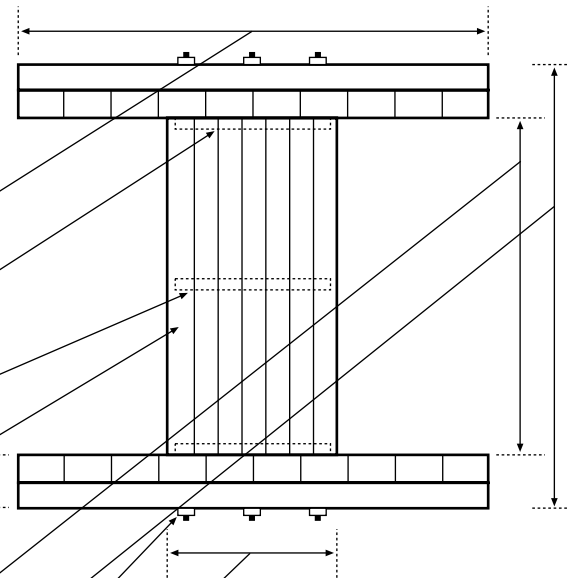
J. Drive Hole, Diameter: _____ Radius: _____

K. Center Hole, Diameter: _____ Plain Ferrule Plate

L. Cable Slot, Length: _____ Width: _____

M. Tare Weight, Pounds: _____

N. Stencil and/or Paint: _____



NAILED WOOD

Carris nailed wood reels are intended for returnable or non-returnable packaging for wire, cable and rope products. Flange thickness, arbor hole, cable slot (start hole), and drive pin hole can be tailored to meet your specific requirements.

FLANGE MATERIALS

Softwood

- Spruce, pine, or fir
- Thickness: 1" to 5"
- Diameter: 24" to 120" or larger

BARREL MATERIALS

Wood Staves

- Molded to provide maximum strength and surface smoothness
- Diameter: from 8" to 90"+
- Length: any length from 6" traverse to 60" traverse

Plywood Barrel

- Made of three-ply northern hardwood plywood for weights up to 1000 lbs

FASTENERS

- Hexhead bolts and nuts: 5/8" diameter to 3/4" diameter
- Cupwashers are standard up to 50" flange diameter
- Flat washers are standard above 50" flange diameter

ARBOR REINFORCEMENTS (see photos)

Available in most standard arbor hole sizes

- Tubular ferrules
- Lightweight bolted extruded plates
- Heavy-duty welded plates

CENTER SUPPORTS AND DRUM HEADS

- One or more center supports can be located along the traverse to support the center of the traverse
- Drum heads are nailed to the flanges to support the stave ends and add support for heavy loads

NAILS

- Flanges are nailed in uniform patterns with heads recessed below the product-bearing surface. Nail points are clinched back into the wood to achieve a mechanical lock.

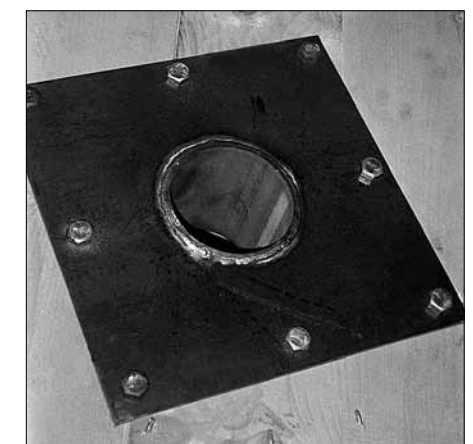
ARBOR REINFORCEMENTS



Ferrule



Extruded plate



Welded plate