



PLYWOOD | NAILED WOOD | PLASTIC  
HYBRID | WOOD/METAL | HARDBOARD | STAMPED METAL



**CARRISREELS**  
*employee-owned • customer-driven*

<b>Vermont</b>	Rutland,VT	(802)-773-9111 Tel	(802)-770-3551 Fax
<b>Connecticut</b>	Enfield, CT	(860)-749-8308 Tel	(860)-749-8558 Fax
<b>California</b>	Madera,CA	(559)-674-0804 Tel	(559)-674- 0804 Fax
<b>Indiana</b>	New Carlisle,IN	(574)-654-8596 Tel	(574)-654-3149 Fax
<b>North Carolina</b>	Statesville,NC	(704)-872-0981 Tel	(704)-873-0654 Fax
<b>Virginia</b>	Fincastle,VA	(540)-473-2210 Tel	(540)-473-2878 Fax
<b>Texas</b>	McKinney,TX	(972)-542-3221 Tel	(972)-548-7335 Fax
	Bonham,TX	(903)-640-1503 Tel	(903)-640-1509 Fax
<b>Mexico</b>	Monterrey,MEX	+52(818)-316-7393 Tel	+52(818)-316-7395 Fax
<b>Canada</b>	St. Jerome, QC	(450)-431-3221 Tel	(450)-431-2433 Fax
	Bowmanville,ON	(905)-623-4455 Tel	(905)-623-9795 Fax

[WWW.CARRIS.COM](http://WWW.CARRIS.COM)

# SPECIFICATION AND QUOTATION SHEET

For a prompt quotation, please photocopy this form, complete it and fax it to Carris-Connecticut at (860)-749-8558  
 Carris-California at (559)-674-0804  
 Carris Indiana at (574)-654-3149



Company Name \_\_\_\_\_ Your Name \_\_\_\_\_  
 Address \_\_\_\_\_ Position \_\_\_\_\_  
 City \_\_\_\_\_ State \_\_\_\_\_ Zip \_\_\_\_\_ Phone \_\_\_\_\_ Fax \_\_\_\_\_

Type and size of material to be placed on reel: \_\_\_\_\_

Maximum weight of material to be placed on reel: \_\_\_\_\_

Quantities normally ordered: \_\_\_\_\_

A. Flange, Diameter: \_\_\_\_\_

B. Drum Heads: \_\_\_\_\_ Thickness: \_\_\_\_\_

C. Center Support, Number: \_\_\_\_\_ Thickness: \_\_\_\_\_

D. Stave Thickness: \_\_\_\_\_

E. Flange Thickness: \_\_\_\_\_

F. Traverse, I.D.: \_\_\_\_\_

G. Out-to-Out Length: \_\_\_\_\_

H. Bolts, Number: Diameter: \_\_\_\_\_

I. Barrel Diameter: \_\_\_\_\_

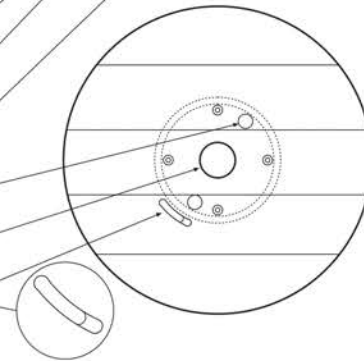
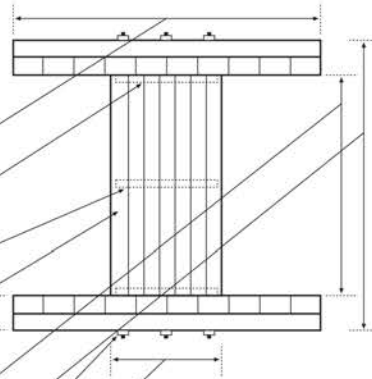
J. Drive Hole, Diameter: \_\_\_\_\_ Radius: \_\_\_\_\_

K. Center Hole, Diameter:  Plain  Ferrule  Plate

L. Cable Slot, Length: \_\_\_\_\_ Width: \_\_\_\_\_

M. Tare Weight, Pounds: \_\_\_\_\_

N. Stencil and/or Paint: \_\_\_\_\_



# NAILED WOOD

Carris nailed wood reels are intended for returnable or non-returnable packaging for wire, cable and rope products. Flange thickness, arbor hole, cable slot (start hole), and drive pin hole can be tailored to meet your specific requirements.

## FLANGE MATERIALS

- Softwood**
- Spruce, pine, or fir
  - Thickness: 1" to 5"
  - Diameter: 24" to 120" or larger

## BARREL MATERIALS

- Wood Staves**
- Molded to provide maximum strength and surface smoothness
  - Diameter: from 8" to 90"+
  - Length: any length from 6" traverse to 60" traverse
- Plywood Barrel**
- Made of three-ply northern hardwood plywood for weights up to 1000 lbs

## FASTENERS

- Hexhead bolts and nuts: 5/16" diameter to 3/4" diameter
- Cupwashers are standard up to 50" flange diameter
- Flat washers are standard above 50" flange diameter

## ARBOR REINFORCEMENTS (see photos)

- Available in most standard arbor hole sizes**
- Tubular ferrules
  - Lightweight bolted extruded plates
  - Heavy-duty welded plates

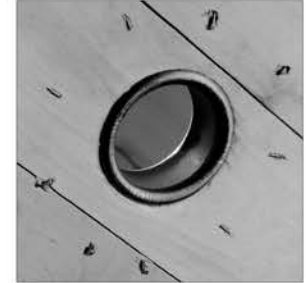
## CENTER SUPPORTS AND DRUM HEADS

- One or more center supports can be located along the traverse to support the center of the traverse
- Drum heads are nailed to the flanges to support the stave ends and add support for heavy loads

## NAILS

- Flanges are nailed in uniform patterns with heads recessed below the product-bearing surface. Nail points are clinched back into the wood to achieve a mechanical lock.

## ARBOR REINFORCEMENTS



Ferrule



Extruded plate



Welded plate