



PLYWOOD | NAILED WOOD | PLASTIC
HYBRID | WOOD/METAL | HARDBOARD | STAMPED METAL



CARRISREELS
employee-owned • customer-driven

Vermont
Connecticut
California
Indiana
North Carolina
Virginia
Texas

Rutland, VT
Enfield, CT
Madera, CA
New Carlisle, IN
Statesville, NC
Fincastle, VA
McKinney, TX
Bonham, TX
Monterrey, MEX
St. Jerome, QC
Bowmanville, ON

WWW.CARRIS.COM

(802)-773-9111 Tel
(860)-749-8308 Tel
(559)-674-0804 Tel
(574)-654-8596 Tel
(704)-872-0981 Tel
(540)-473-2210 Tel
(972)-542-3221 Tel
(903)-640-1503 Tel
+52(818)-316-7393 Tel
(450)-431-3221 Tel
(905)-623-4455 Tel

(802)-770-3551 Fax
(860)-749-8558 Fax
(559)-674-0804 Fax
(574)-654-3149 Fax
(704)-873-0654 Fax
(540)-473-2878 Fax
(972)-548-7335 Fax
(903)-640-1509 Fax
+52(818)-316-7395 Fax
(450)-431-2433 Fax
(905)-623-9795 Fax

SPECIFICATION AND QUOTATION SHEET

For a prompt quotation, please photocopy this form, complete it and fax to the Carris location nearest you: Carris-Vermont at 802-770-3551
 Carris-California at (559)-674-0804 | Carris-Indiana at (574)-654-3149
 Carris-North Carolina at (704)-873-0654



Company Name _____	Your Name _____
Address _____	Position _____
City _____ State _____ Zip _____	Phone _____ Fax _____

Type and size of material to be placed on reel: _____

Maximum weight of material to be placed on reel: _____

Quantities normally ordered: _____

A. Flange diameter: _____

B. Traverse length: _____

C. Barrel diameter: _____

D. Finish hole diameter: _____

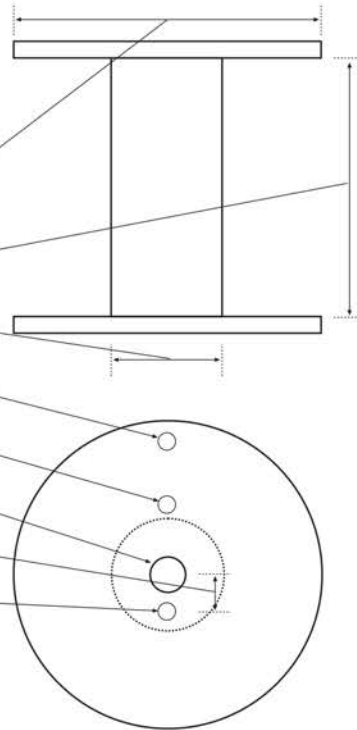
E. Start hole diameter: _____

F. Arbor hole diameter: _____

G. Distance center-to-center: _____

H. Drive pin hole diameter: _____

I. Other: If you want a company name or logo applied to reels, roughly indicate size and position and state number of colors.



PLYWOOD

Carris plywood reels are intended for non-returnable, lightweight packaging for put-ups of wire, cable, rope, tape and chain products.

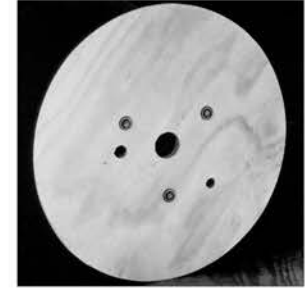
FLANGE

Hardwood Plywood (HP)

- For the highest quality, strength, appearance and durability, this material surpasses all others
- Thickness: 8mm, 10mm, 12mm, 15mm, 25mm, 1¼", 1½"
- Diameter: Routinely available in sizes from 4" to 60"
- Weight Capacity: Depending on flange thickness, the weight capacity of this product ranges from 5 to 2,000 pounds

Softwood(SW)

- Another option and offers savings as an alternative to hardwood plywood
- Thickness: ½", ¾", ¾" (others as requested)
- Diameter: Routinely available in sizes from 4" to 60"
- Weight Capacity: Depending on flange thickness, the weight capacity of this product ranges from 5 to 2,000 pounds



All borings are produced to your precise specifications.

BARREL

Paper Tubes

- The usual component in our plywood reels; however, if additional strength is recommended, we offer the plywood barrel

Plywood Barrels

- Ensure the extra strength demanded by added weight capacity

Wood Stave Barrels

- Can be molded for diameters of 8" and larger

BORINGS

- Arbor holes, drive pin holes and other borings can be produced to your exact specifications

FASTENERS

- Hexhead bolts with integrated flat washers in diameters of ¼" and ⅜" with t-nuts on opposite flange