

CARRISREELS

PLASTIC



PLASTIC

For more than 25 years, Carris Plastics has been synonymous with packaging for wire and cable. Today, our capabilities have expanded well beyond plastic reels and spools to contract molding. Our customers rely on us to provide consistent and economical products to their exacting specifications and standards.

Services can start with the development of new products using engineering tools such as:

- 3D Solid Modeling
- Mold Fill/Cool Analysis
- Finite Element Stress Analysis
- Field Technical Support
- Quickest Shipment of Orders in the Industry

These tools, combined with decades of experience, combine to produce molds to the industry's highest standard—ensuring an uninterrupted supply of product to our customers.

A majority of our customers rely on us as their only packaging/molding source. Our commitment to inventory levels, minimal lead times, VMI, consistent quality, and “best in class” customer service has earned us their trust.

PLANT LOCATIONS

- Rutland, VT
- Fincastle, VA
- Monterrey, Mexico
- McKinney, Texas

MANUFACTURING

- 150,000 sq. ft.
- 150+ employee-owners

CAPABILITIES

- More than 60 presses, ranging from 50 to 700 ton

MATERIALS

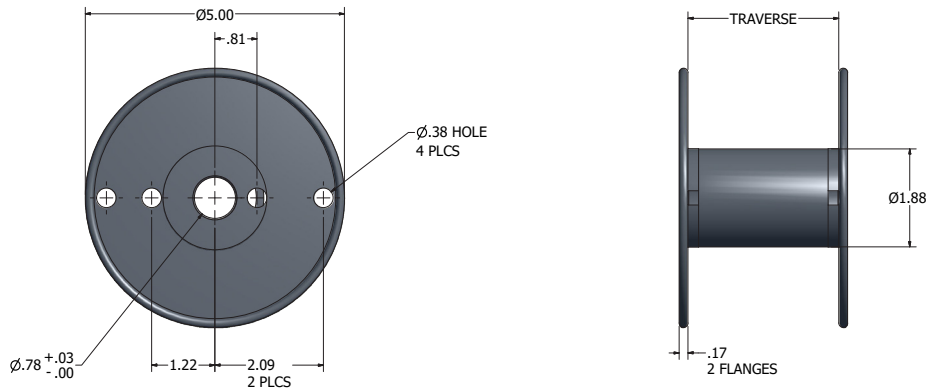
- Regrind/repro and virgin High Impact Polystyrene (HIPS)
- ABS
- Polypropylene
- High Density Polyethylene (HDPE)
- Low Density Polyethylene (LDPE)

Enclosed is our complete line of products and accompanying drawings

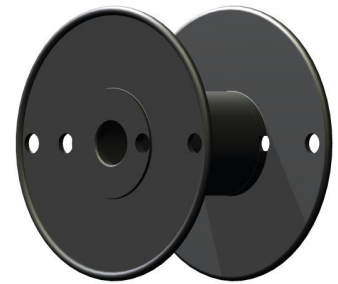


MULTI-PURPOSE HIPS	FINE WIRE	WELDING WIRE	MAGNET WIRE	OTHER	MULTI-PURPOSE HDPE
5" utility	6 x 3½ x 3½	4" (2.5 lb.)	8½ x 9 ¼ x 9	SHIPPING CLEAT WIRE TIE REEL ADAPTERS CADDIES BUCKETS	6½ x 4½"
6½" utility		8" (10 lb.)	10 x 11 x 12		8½"
6½" window		8" (15 lb.)	12 x 6 x 6½		10½"
10½" utility		11¾ x 3 ⅝ x 6 ⅜	15 x 16 x 12		11¾"
10½" window		11¾ x 3 ⅝ x 8 ¼	15 x 16 x 24		13½"
10½" ribbed			24 x 6 x 14		
12" ribbed			24 x 11 x 14		
12" heavy duty - window			24 x 12 x 14		
14" utility					
16" utility					

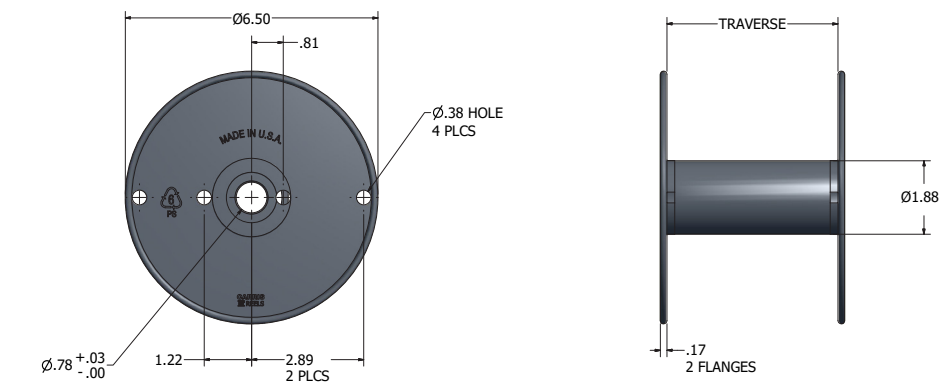
MULTI-PURPOSE 5" HIPS UTILITY



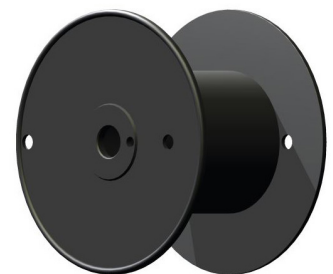
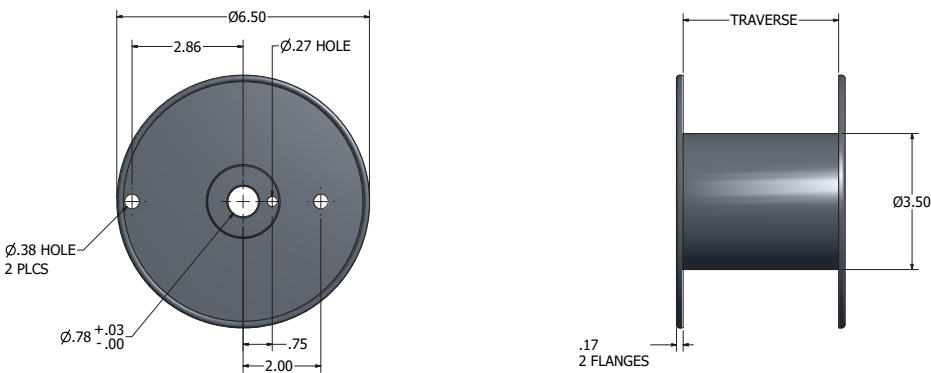
REEL WEIGHT (LBS.) 2 Flanges + (Weight of Barrel x Traverse)
.2 + (.015 x T)
PER PALLET/BOX/GAYLORD
varies according to traverse length



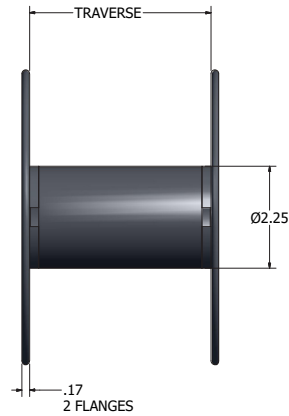
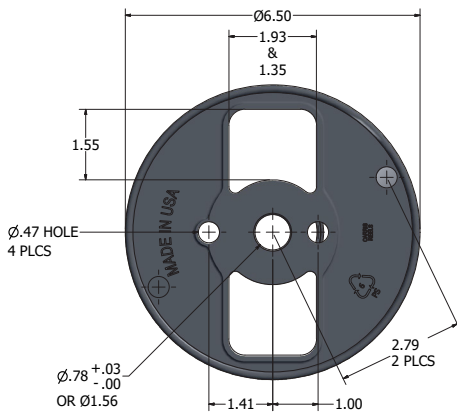
MULTI-PURPOSE 6½" HIPS UTILITY



REEL WEIGHT (LBS.) 2 Flanges + (Weight of Barrel x Traverse)
.36 + (.015 x T)
PER PALLET/BOX/GAYLORD
varies according to traverse length



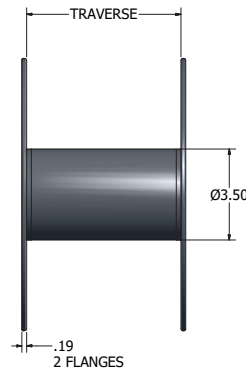
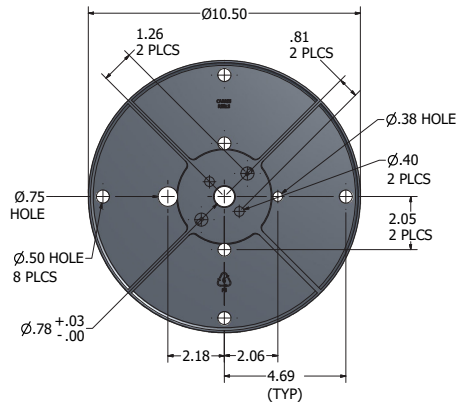
MULTI-PURPOSE 6½" HIPS WINDOW HIPS UTILITY



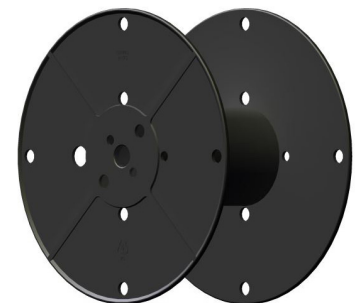
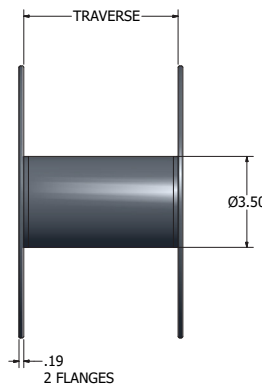
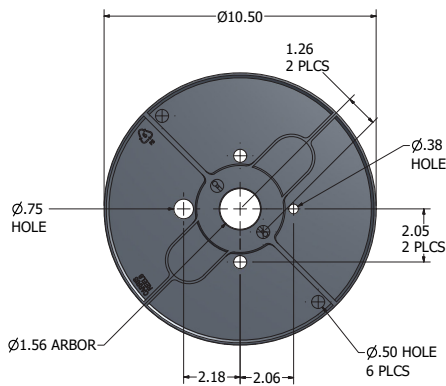
REEL WEIGHT (LBS.) 2 Flanges + (Weight of Barrel x Traverse)
.25+ (.02 x T)
PER PALLET/BOX/GAYLORD
varies according to traverse length



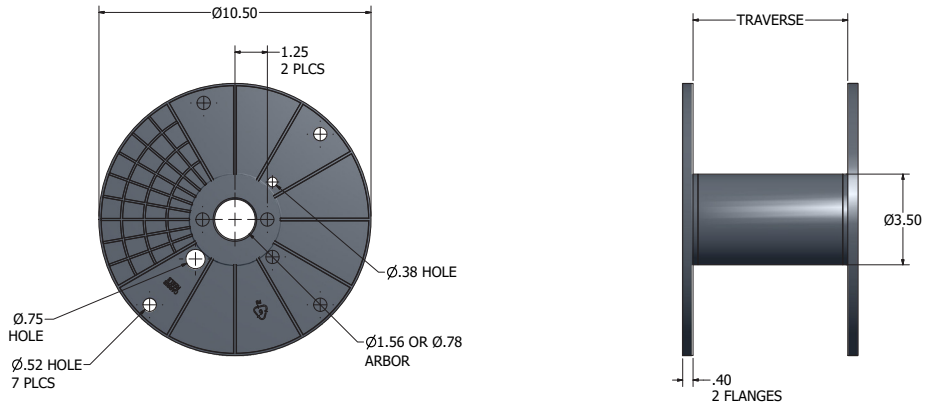
MULTI-PURPOSE 10½" HIPS UTILITY



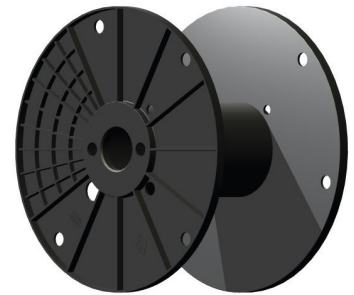
REEL WEIGHT (LBS.) 2 Flanges + (Weight of Barrel x Traverse)
.8 + (.030 x T)
PER PALLET/BOX/GAYLORD
varies according to traverse length



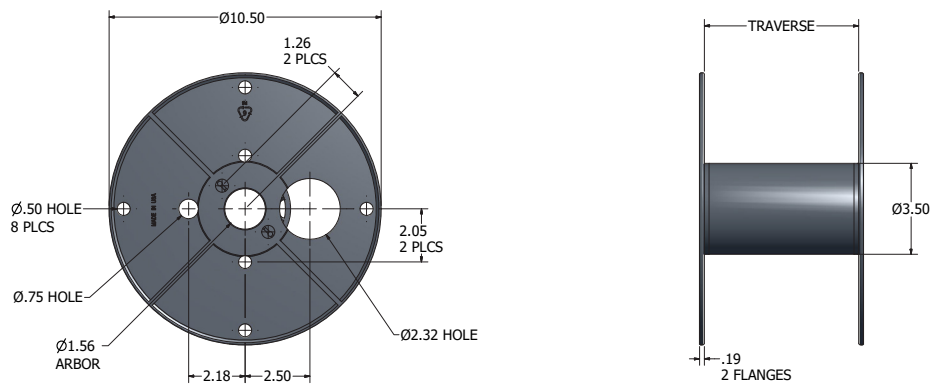
MULTI-PURPOSE 10½" RIBBED HIPS UTILITY



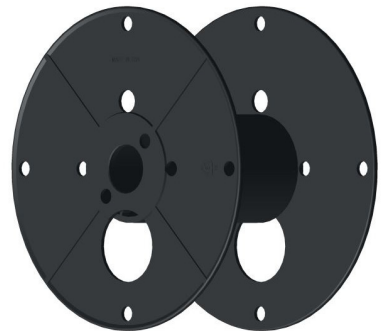
REEL WEIGHT (LBS.)
2 Flanges + (Weight of Barrel x Traverse)
.85 + (.030 x T)
PER PALLET/BOX/GAYLORD
varies according to traverse length



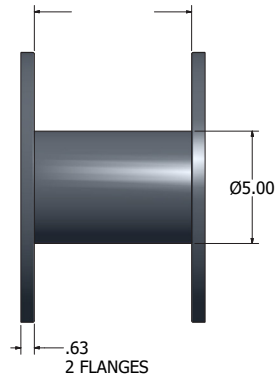
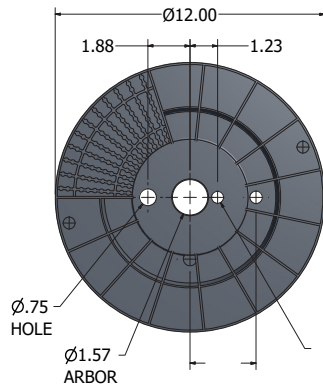
MULTI-PURPOSE 10½" WINDOW HIPS UTILITY



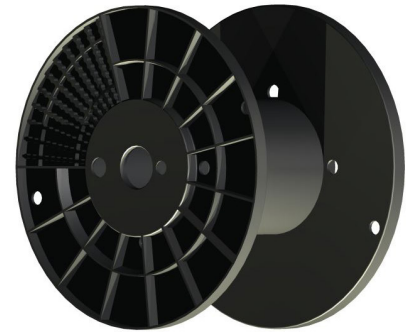
REEL WEIGHT (LBS.)
2 Flanges + (Weight of Barrel x Traverse)
.825 + (.030 x T)
PER PALLET/BOX/GAYLORD
varies according to traverse length



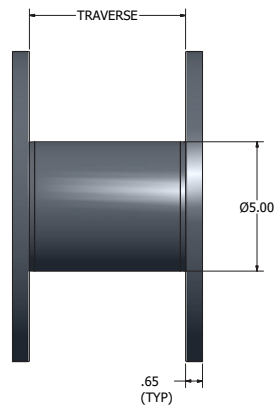
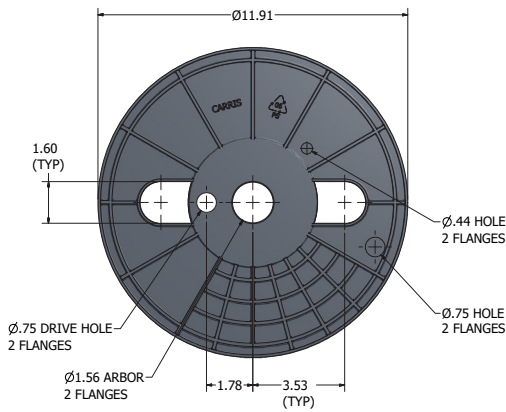
MULTI-PURPOSE 12" RIBBED HIPS UTILITY



REEL WEIGHT (LBS.) 2 Flanges + (Weight of Barrel x Traverse)
$1.68 + (.050 \times T)$
PER PALLET/BOX/GAYLORD
varies according to traverse length



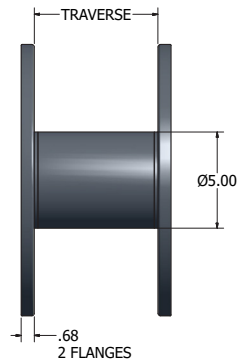
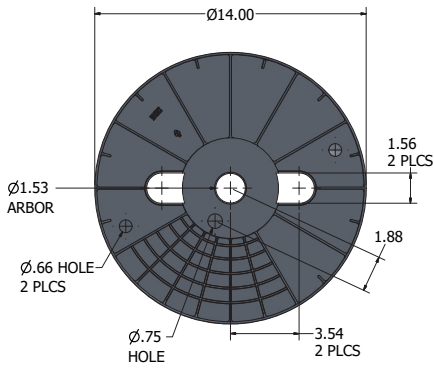
MULTI-PURPOSE 12" WINDOW HEAVY DUTY HIPS UTILITY



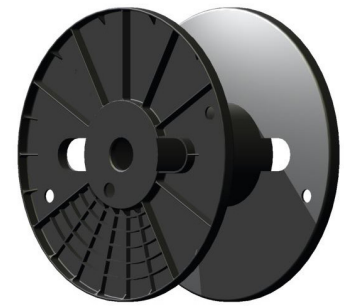
REEL WEIGHT (LBS.) 2 Flanges + (Weight of Barrel x Traverse)
$1.9 + (.050 \times T)$
PER PALLET/BOX/GAYLORD
varies according to traverse length



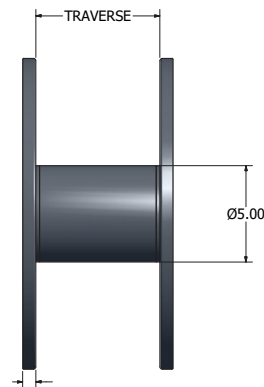
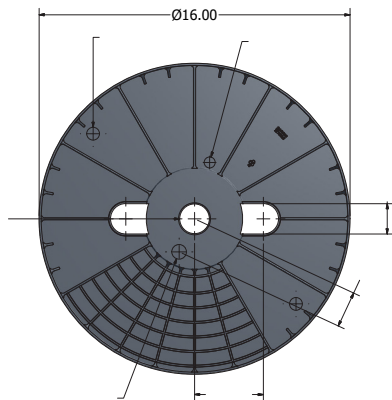
MULTI-PURPOSE 14" HIPS UTILITY



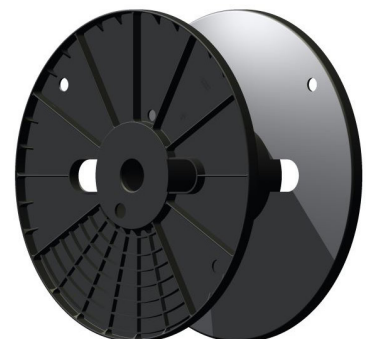
REEL WEIGHT (LBS.)
2 Flanges + (Weight of Barrel x Traverse)
$2 + (.050 \times T)$
PER PALLET/BOX/GAYLORD
varies according to traverse length



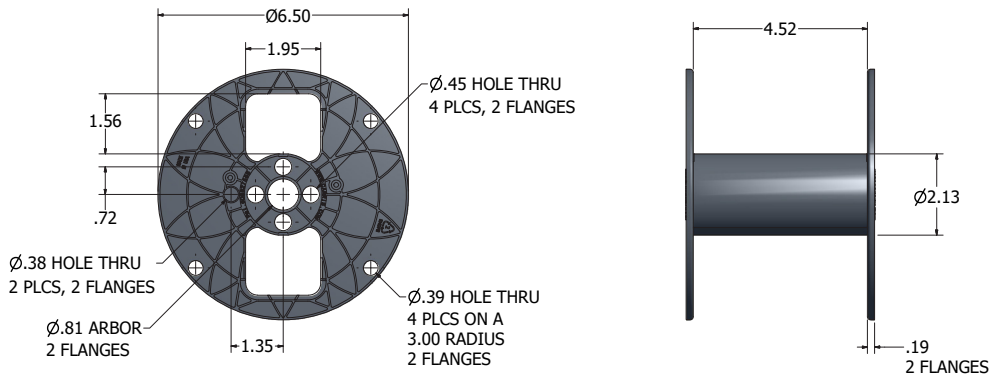
MULTI-PURPOSE 16" HIPS UTILITY



REEL WEIGHT (LBS.)
2 Flanges + (Weight of Barrel x Traverse)
$2.5 + (.050 \times T)$
PER PALLET/BOX/GAYLORD
varies according to traverse length



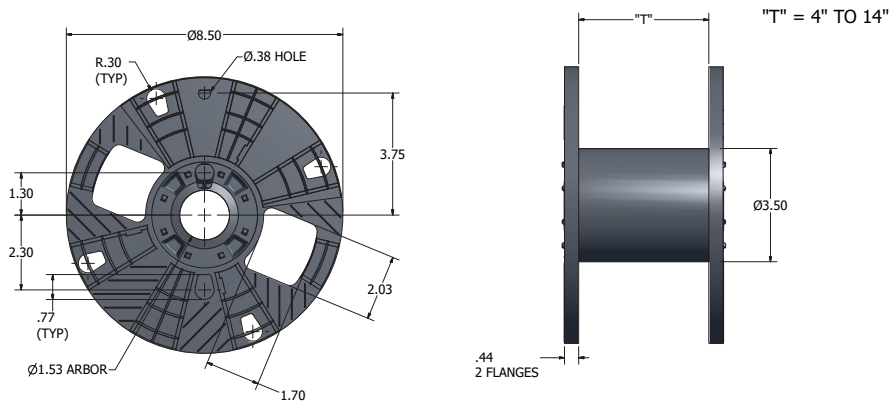
MULTI-PURPOSE 6½" x 4½" HDPE



REEL WEIGHT (LBS.)
.28 lbs.
PER PALLET/BOX/GAYLORD
729



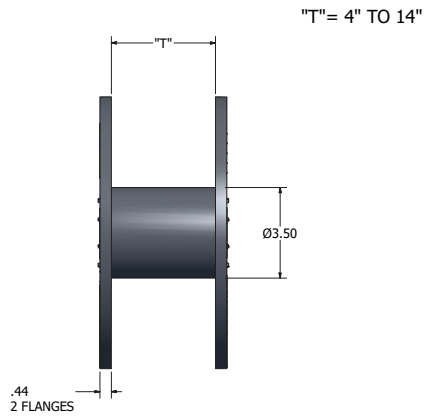
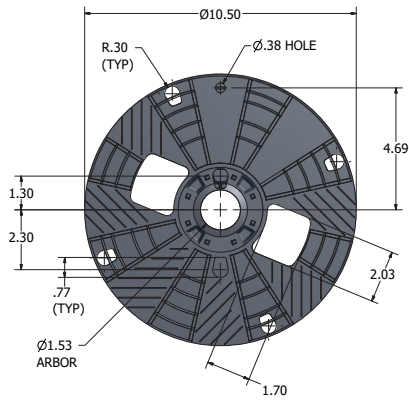
MULTI-PURPOSE 8½" HDPE



REEL WEIGHT (LBS.)
2 Flanges + (Weight of Barrel x Traverse)
.46 + (.030 x T)
PER PALLET/BOX/GAYLORD
varies according to traverse length



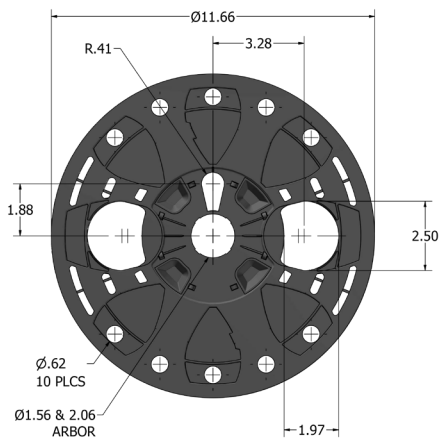
MULTI-PURPOSE 10 1/2" HDPE



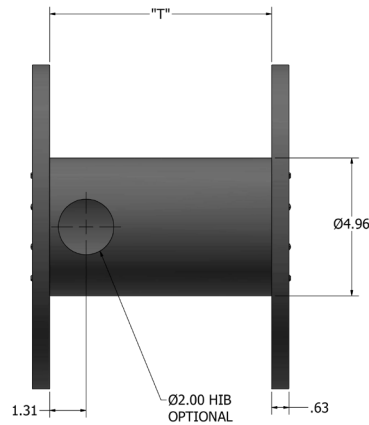
REEL WEIGHT (LBS.)
2 Flanges + (Weight of Barrel x Traverse)
.75 + (.03 x T)
PER PALLET/BOX/GAYLORD
varies according to traverse length



MULTI-PURPOSE 11 3/4" HDPE



"T" = 4" TO 14"

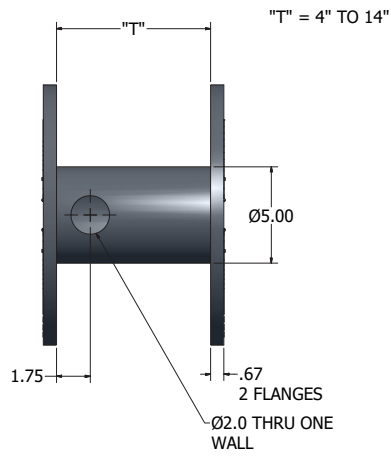
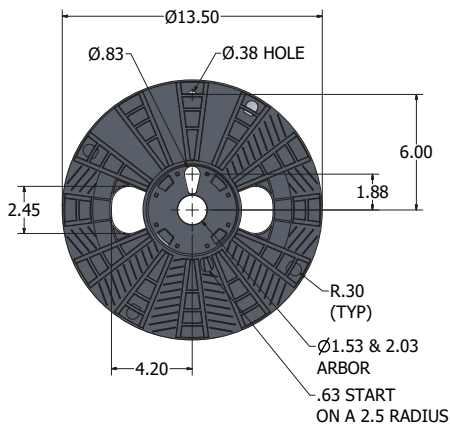


REEL WEIGHT (LBS.)
2 Flanges + (Weight of Barrel x Traverse)
1.08 + (.050 x T)
PER PALLET/BOX/GAYLORD
varies according to traverse length

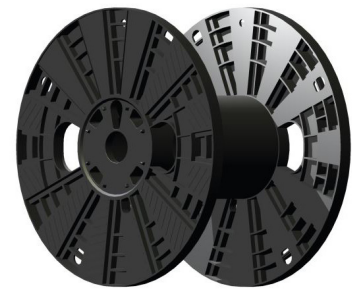
2 FLANGES
Ø2.0 HOLE THRU
ONE WALL OF BARREL



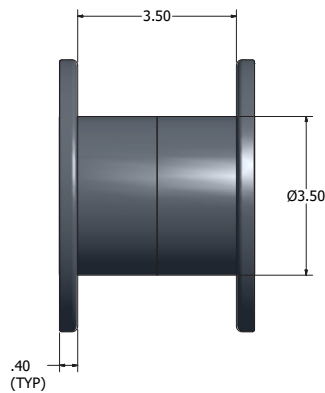
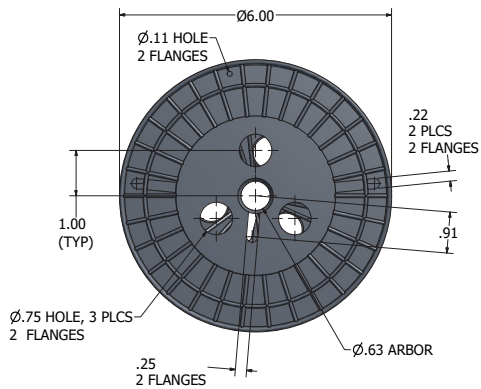
MULTI-PURPOSE 13 1/2" HDPE



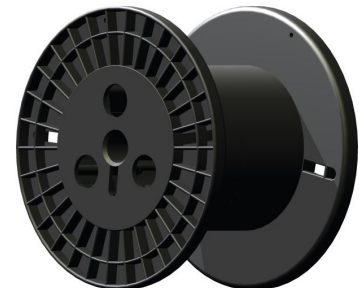
REEL WEIGHT (LBS.)
2 Flanges + (Weight of Barrel x Traverse)
1.52 + (.050 x T)
PER PALLET/BOX/GAYLORD
varies according to traverse length



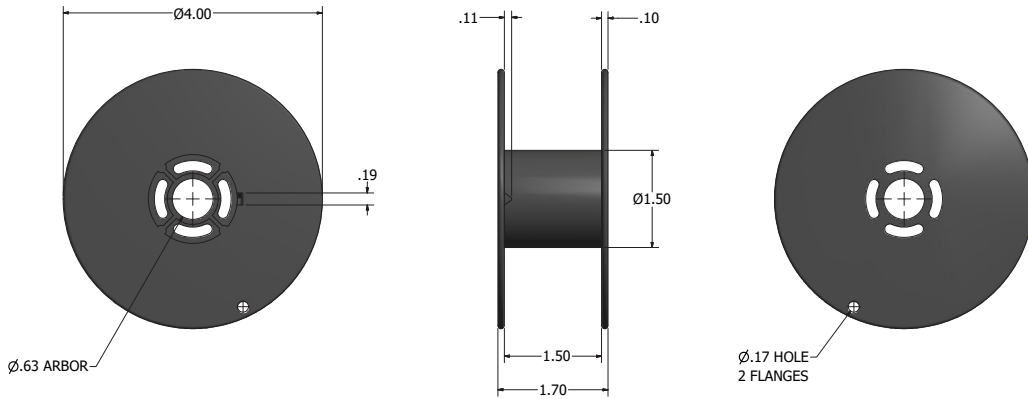
FINE WIRE 6 x 3 1/2 x 3 1/2 HIPS



REEL WEIGHT (LBS.)
0.7
PER PALLET/BOX
100/box; 12 boxes/pallet; 1,200/pallet



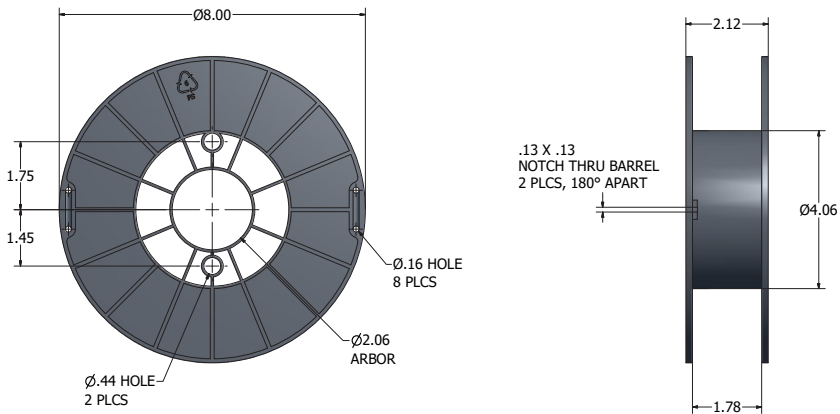
WELDING WIRE 4"



REEL WEIGHT (LBS.)
.14
PER PALLET/BOX/GAYLORD
6,400/pallet



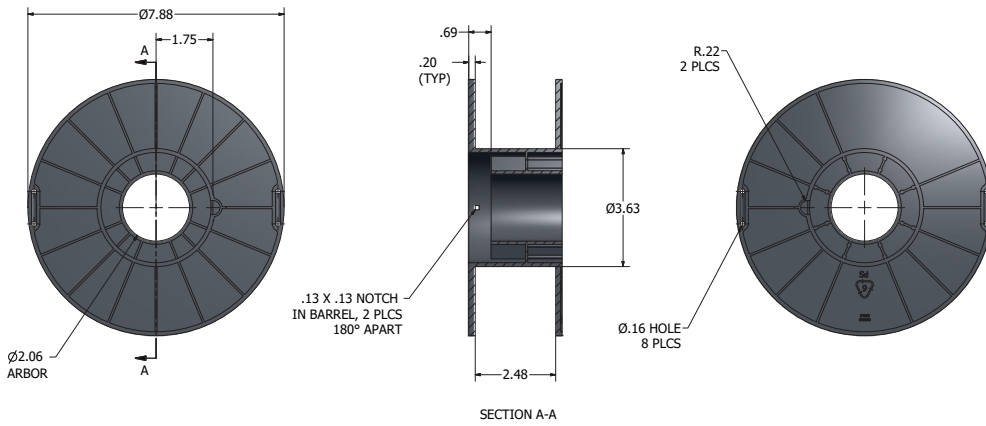
WELDING WIRE 8" (10 LB)



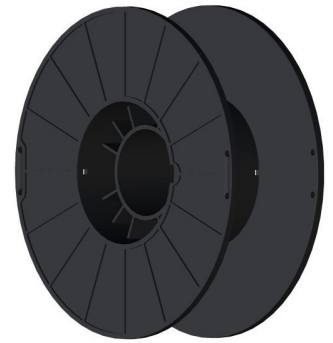
REEL WEIGHT (LBS.)
.66
PER PALLET/BOX/GAYLORD
1008/pallet



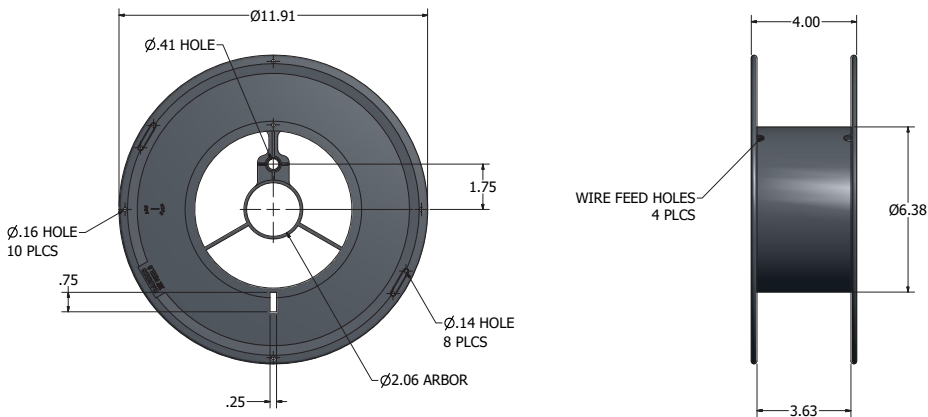
WELDING WIRE 8" WITH RECESSED HUB (15 LB)



REEL WEIGHT (LBS.)
.68
PER PALLET/BOX/GAYLORD
720/pallet



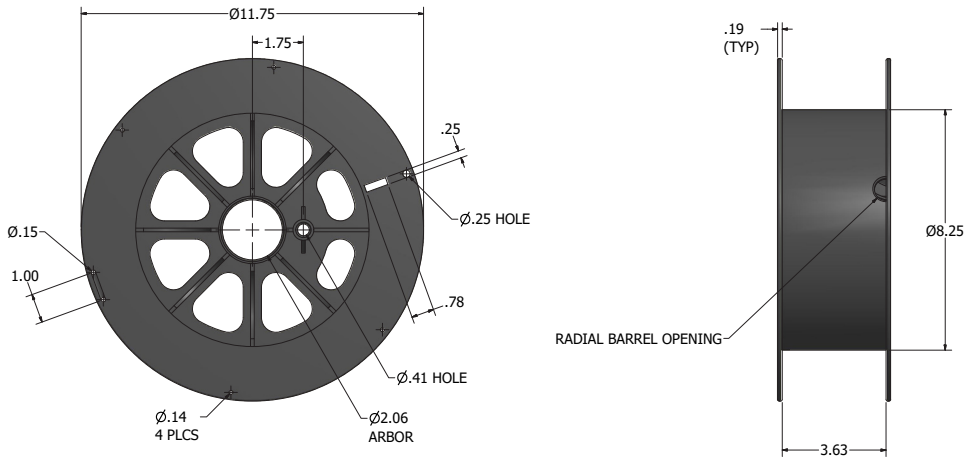
WELDING WIRE 11 3/4 x 3 7/8 x 6 3/8



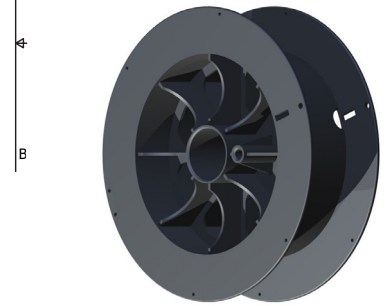
REEL WEIGHT (LBS.)
1.73
PER PALLET/BOX/GAYLORD
200/pallet



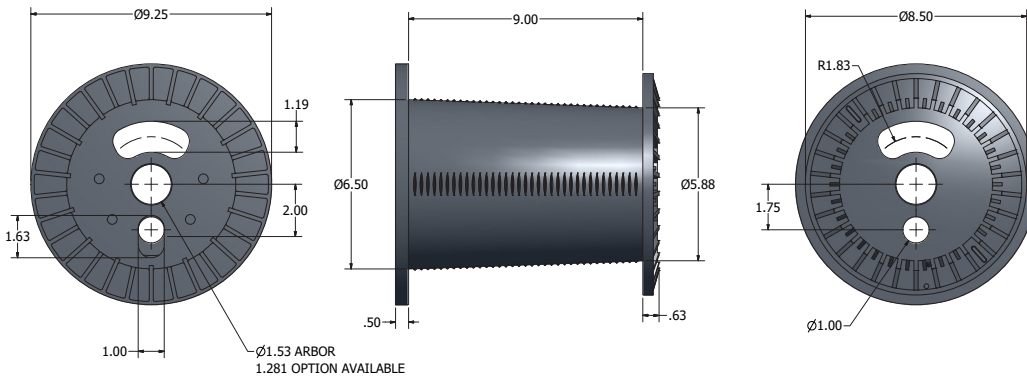
WELDING WIRE 11¾ x 3⅝ x 8¼



D	REEL WEIGHT (LBS.)
	1.39
	# PER PALLET/BOX/GAYLORD
	176/pallet

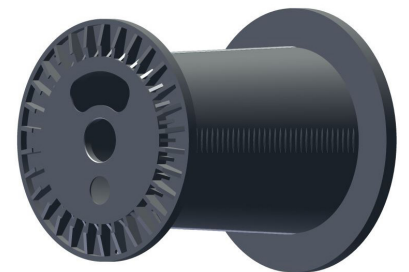


MAGNET WIRE 8½ x 9¼ x 9

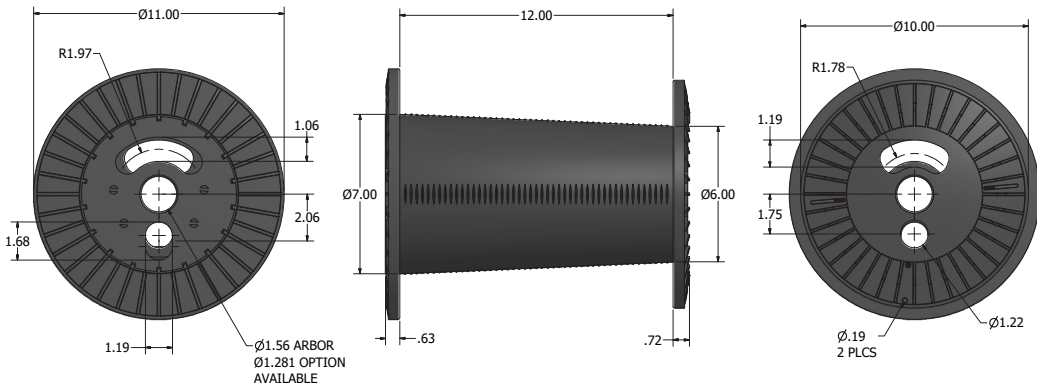


	REEL WEIGHT (LBS.)
	1.9
	# PER PALLET/BOX/GAYLORD
	200/pallet

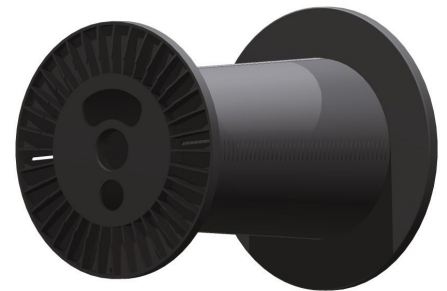
Available in ribbed or smooth barrel



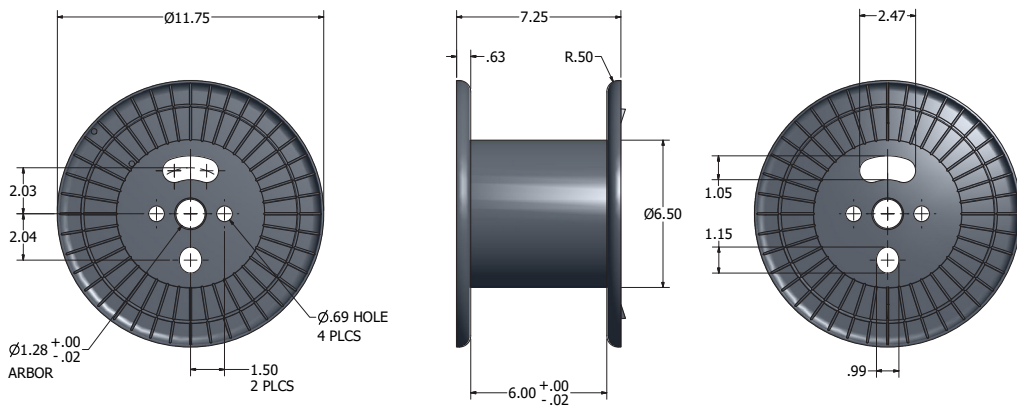
MAGNET WIRE 10 x 11 x 12



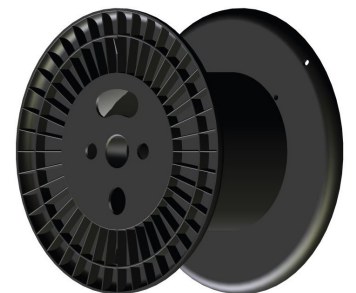
REEL WEIGHT (LBS.)
3
PER PALLET/BOX/GAYLORD
150/pallet



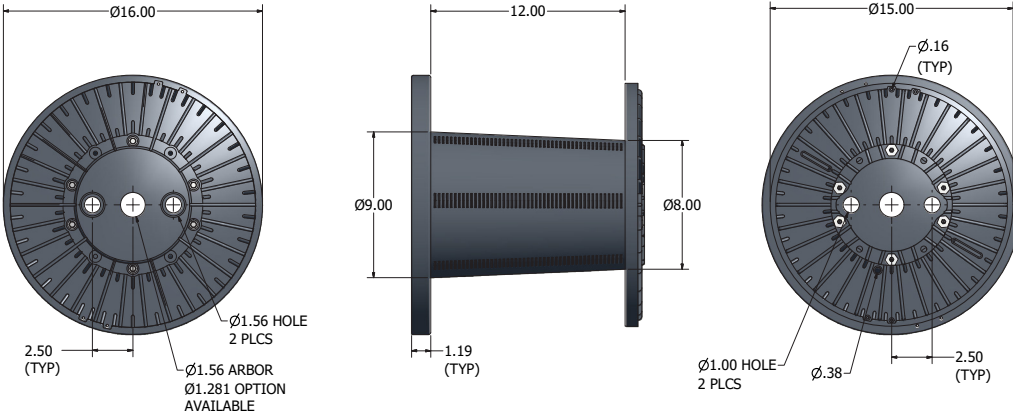
MAGNET WIRE 12 x 6 x 6 1/2



REEL WEIGHT (LBS.)
2.09
PER PALLET/BOX/GAYLORD
200/pallet



MAGNET WIRE 15 x 16 x 12

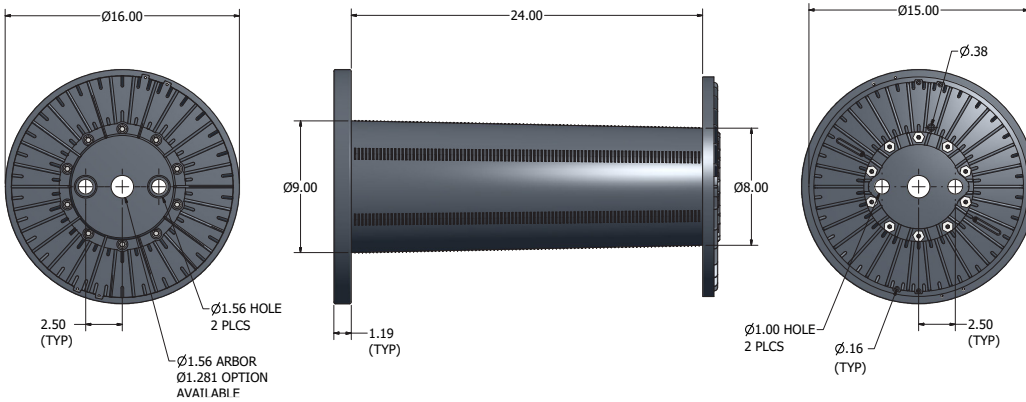


REEL WEIGHT (LBS.)
10
PER PALLET/BOX/GAYLORD
45/pallet

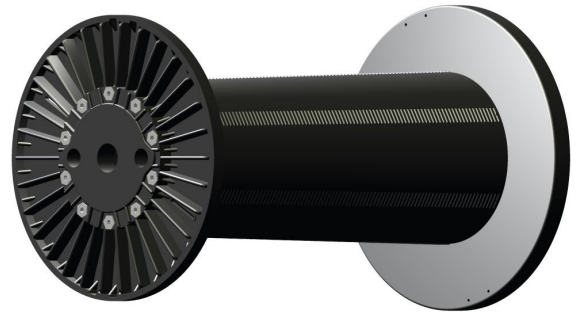
* 6 – 10 bolt configuration



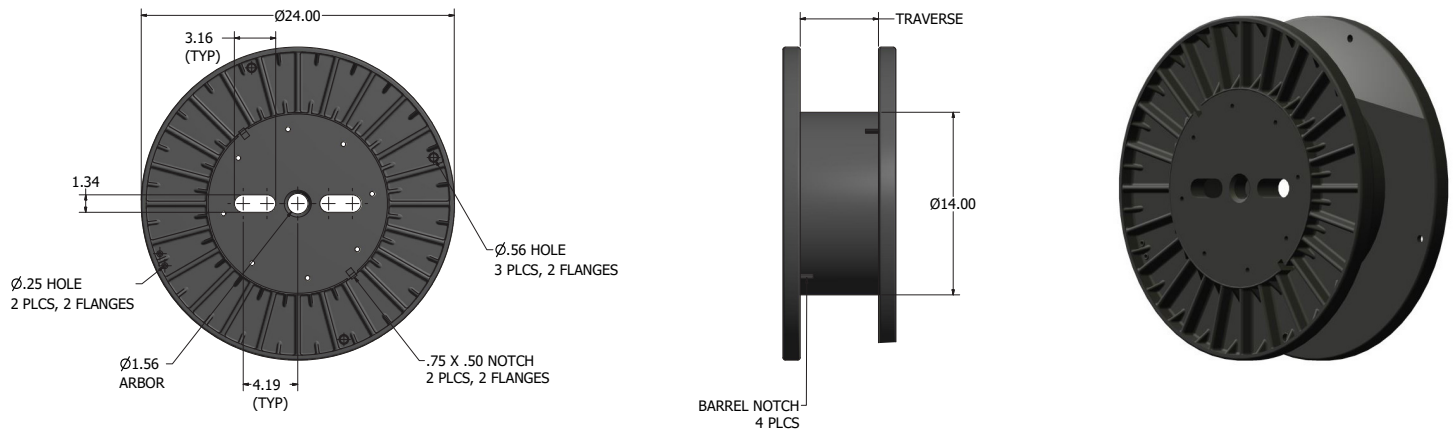
MAGNET WIRE 15 x 16 x 24



REEL WEIGHT (LBS.)
13.6
PER PALLET/BOX/GAYLORD
27/pallet



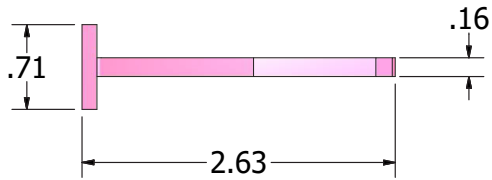
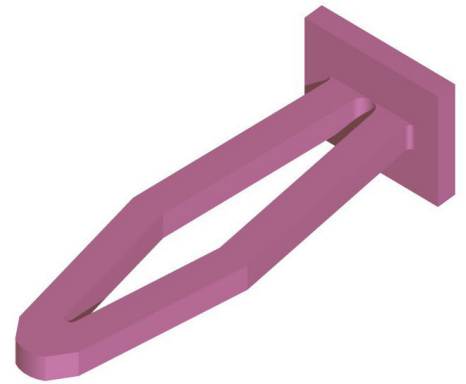
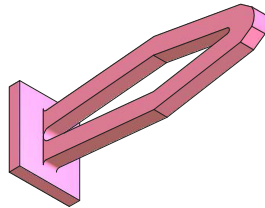
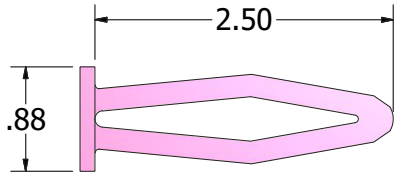
MAGNET WIRE 24



SIZE	BARREL	# PER PALLET	REEL WEIGHT
24 X 6 X 14	Plastic	36	20 lbs.
24 X 11 X 14	18 Gauge Steel	20	25.4 lbs.
24 X 12 X 14	18 Gauge Steel	20	26.6 lbs.

OTHER #320 WIRE TIE

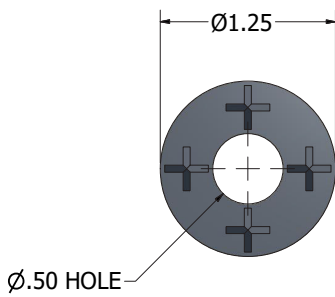
WEIGHT (LBS.)	# PER BOX
0.008	2,500/box



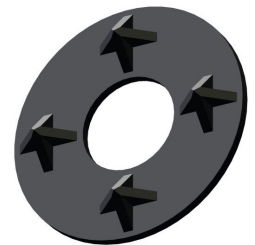
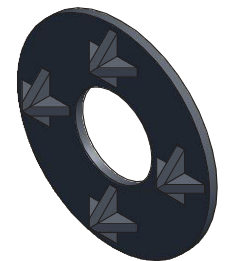
Material – LDPE Mixed Color

OTHER #323 SHIPPING CLEAT

WEIGHT (LBS.)	# PER BOX
0.003	5,200/box

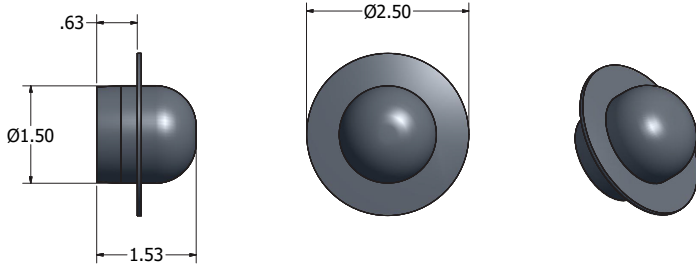


Material – Mixed Color Polyolefin



OTHER #311 PLASTIC REEL ADAPTER

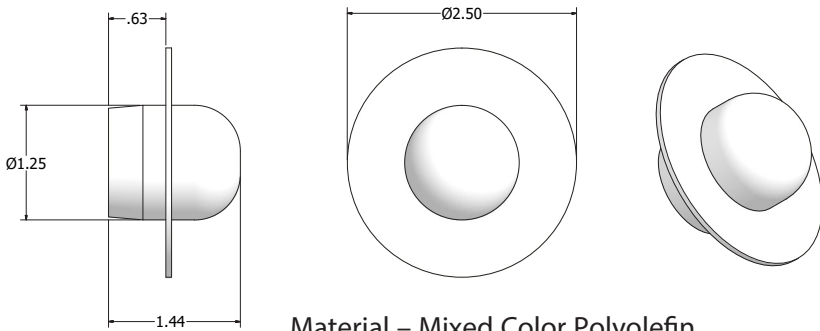
WEIGHT (LBS.)	# PER BOX
0.025	880/box



Material – Mixed Color Polyolefin

OTHER #312 PLASTIC REEL ADAPTER

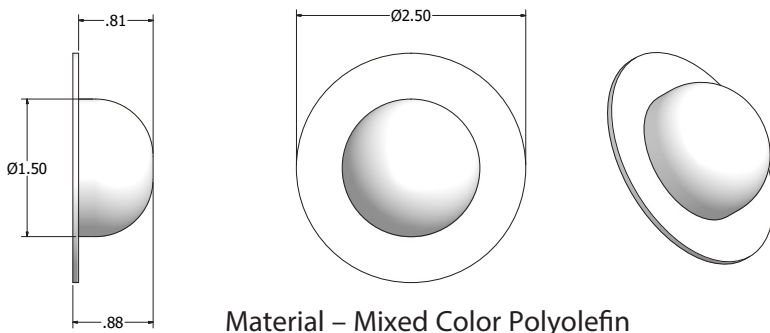
WEIGHT (LBS.)	# PER BOX
0.022	1,200/box



Material – Mixed Color Polyolefin

OTHER #316 PLASTIC REEL ADAPTER

WEIGHT (LBS.)	# PER BOX
0.018	1,700/box



Material – Mixed Color Polyolefin

REEL-IN-A-BOX

This product is the ultimate in flexible, convenient, and cost-effective packaging. Your customer can use it in the box or outside the box. The Reel-in-a-Box is the preferred package for the installation of category 5 and 6 cables. The cable is protected, eliminating any need for pay-off racks. This product can be used in retail point-of-purchase display for many wire types.

THE DESIGN

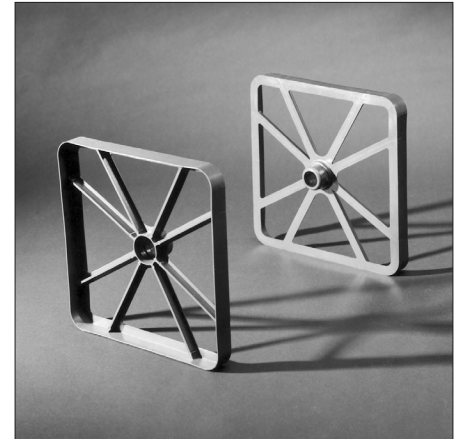
Our design uses custom-molded components from recycled polyolefins, incorporates two "caddies" to support the reel within the box, and allows for any sized traverse to meet your capacity needs. The Reel-in-a-Box stands up to normal job site abuse and facilitates stacking. This package can accommodate up to 60 lbs.

THE CADDY

Custom-Molded, Durable Plastic

- The reel is held in place by a plastic rack (caddy). These are custom-molded from regrind polypropylene. Because of their simple design, they can be easily removed and re-used.

CADDY	ACCOMMODATES REEL SIZE
10"	10½" plastic utility 10½" plastic ribbed 10½" stamped metal
11"	10½" plastic utility 10½" plastic ribbed
12"	12" plastic utility 12" plastic ribbed

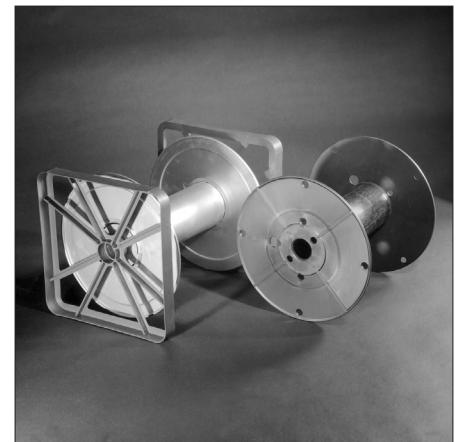


Custom-molded caddies are easy to remove and reuse.

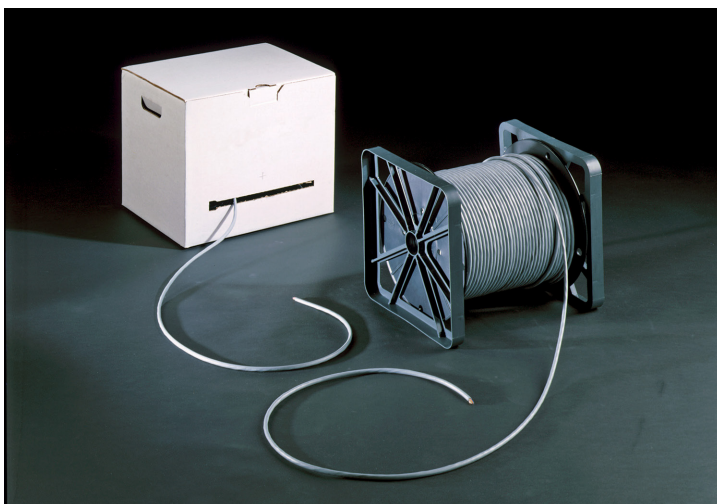
THE REEL

Plastic or Stamped Metal

- We can offer two options — the light tare weight of plastic, and the heavier (and stronger) stamped metal.



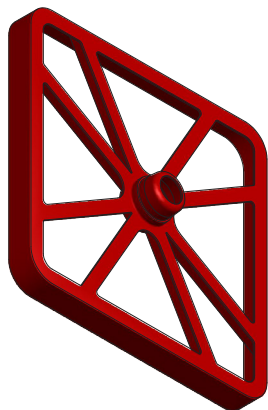
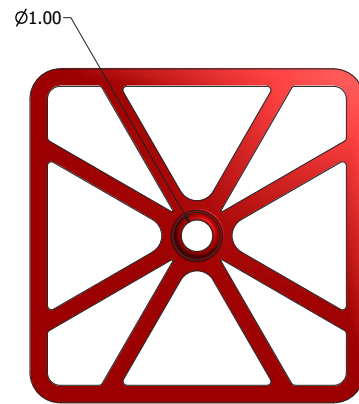
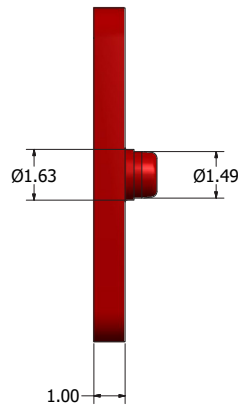
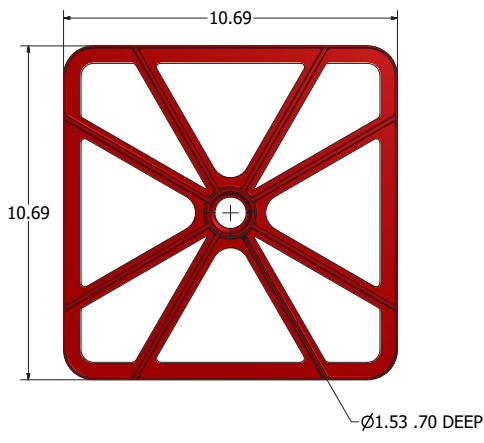
Caddies can accommodate both 10½" plastic and 10½" stamped metal reels.



Carris Reels does not supply box.

OTHER 10" CADDY #385

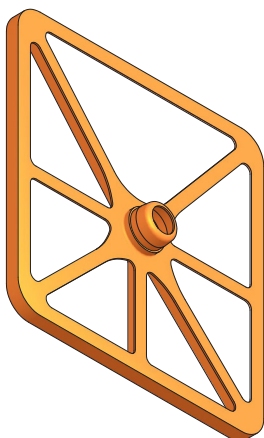
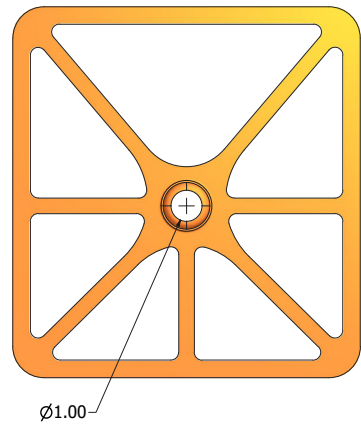
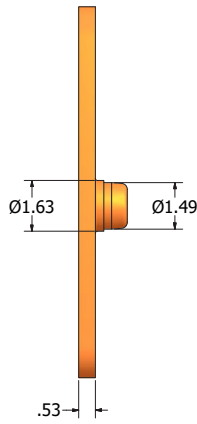
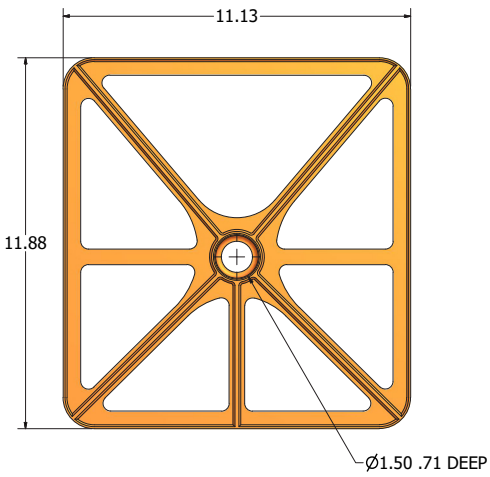
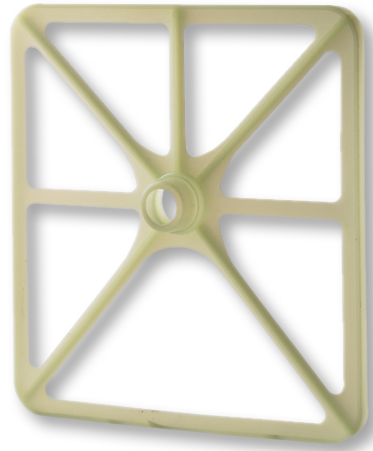
WEIGHT (LBS.)	# PER PALLET
0.22	480



Material – Mixed Color Polypropylene

OTHER 11" CADDY #386

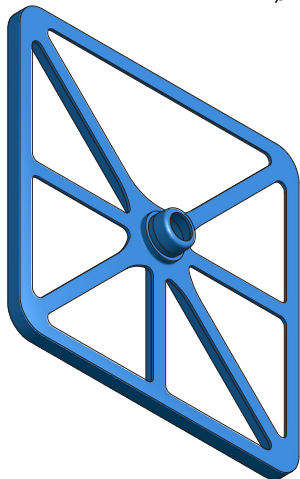
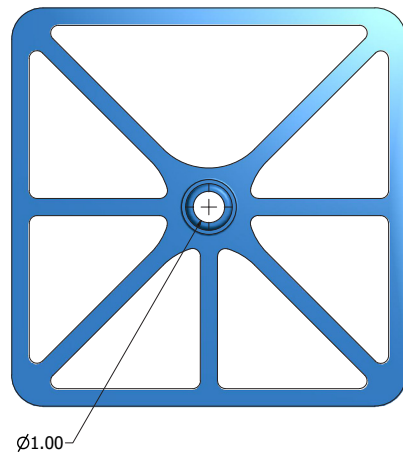
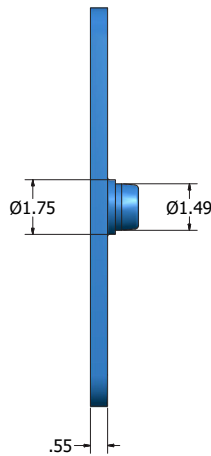
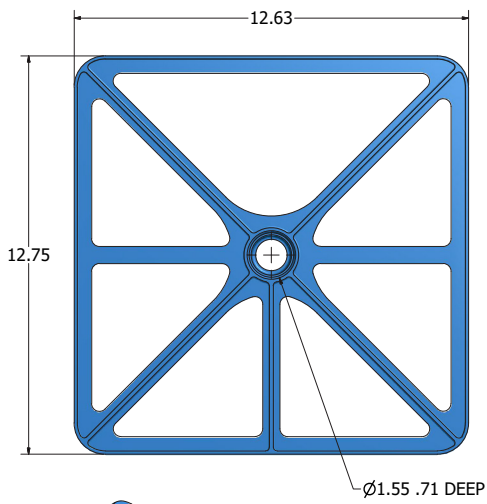
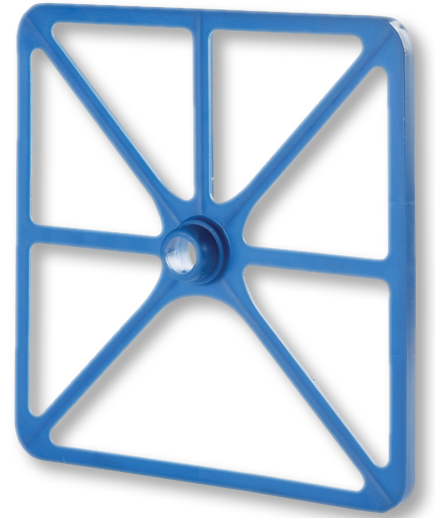
WEIGHT (LBS.)	# PER PALLET
0.22	480



Material – Mixed Color Polypropylene

OTHER 12" CADDY

WEIGHT (LBS.)	# PER PALLET
0.34	480



Material – Mixed Color Polypropylene

PLYWOOD | NAILED WOOD | HARDBOARD
PLASTIC | WOOD/METAL | STAMPED METAL | RECYCLED



CARRISREELS
employee-owned • customer-driven

WWW.CARRIS.COM

Vermont	Rutland	(802) 773-9111
Connecticut	Enfield	(802) 773-9111
California	Madera & Santa Maria	(802) 773-9111
Indiana	New Carlisle	(802) 773-9111
North Carolina	Statesville	(802) 773-9111
Arkansas	El Dorado	(802) 773-9111
Texas	McKinney & Bonham	(802) 773-9111
Virginia	Fincastle	(802) 773-9111
Mexico	Monterrey	(011) 52-81-83-16-73-90

SALES@CARRIS.NET